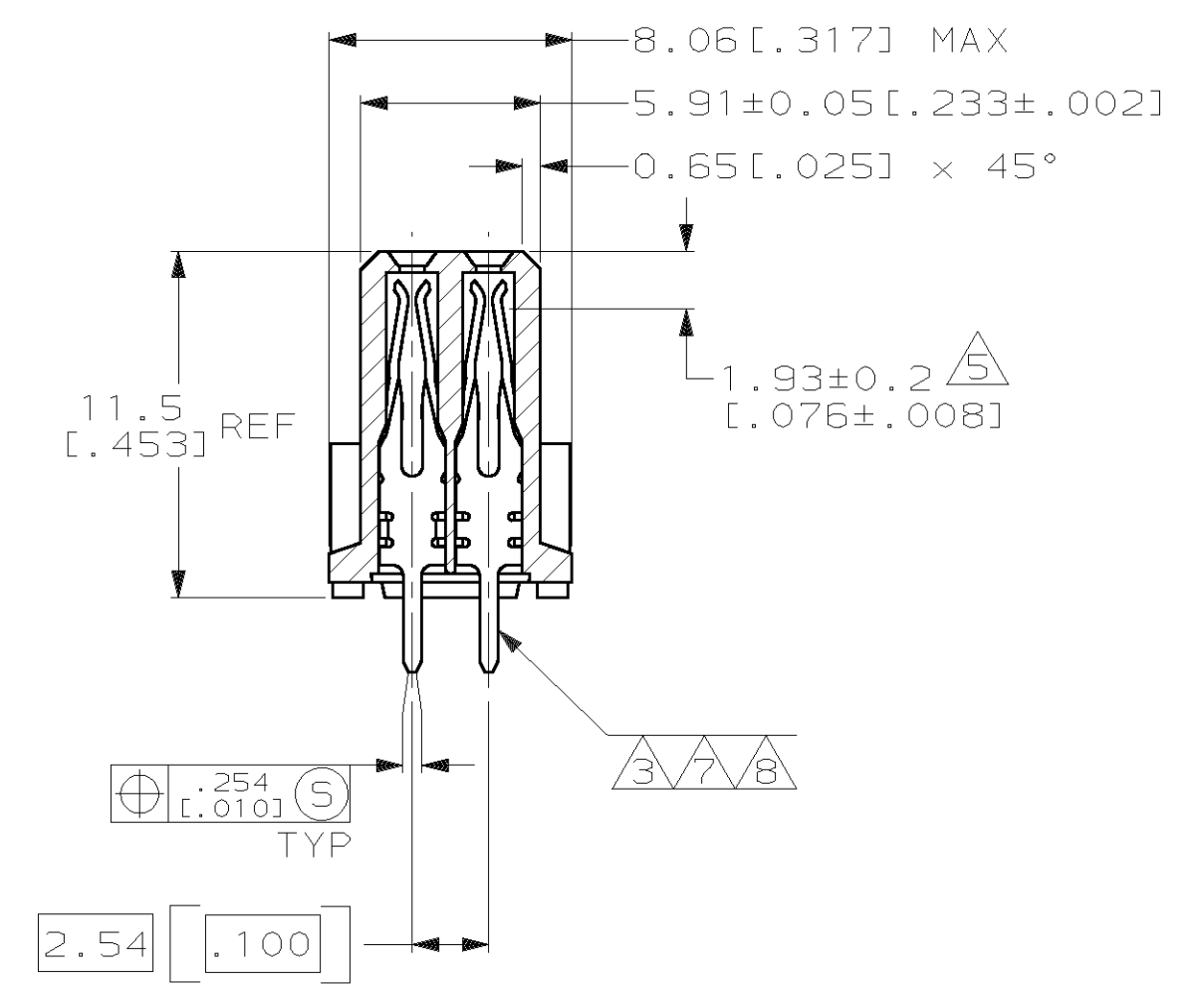
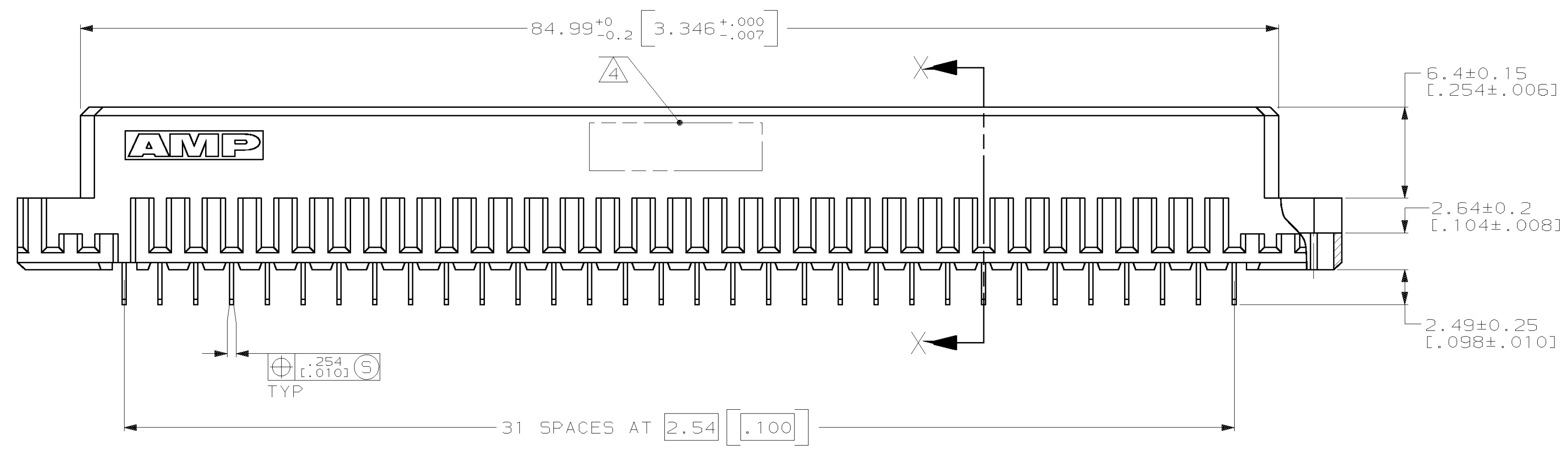
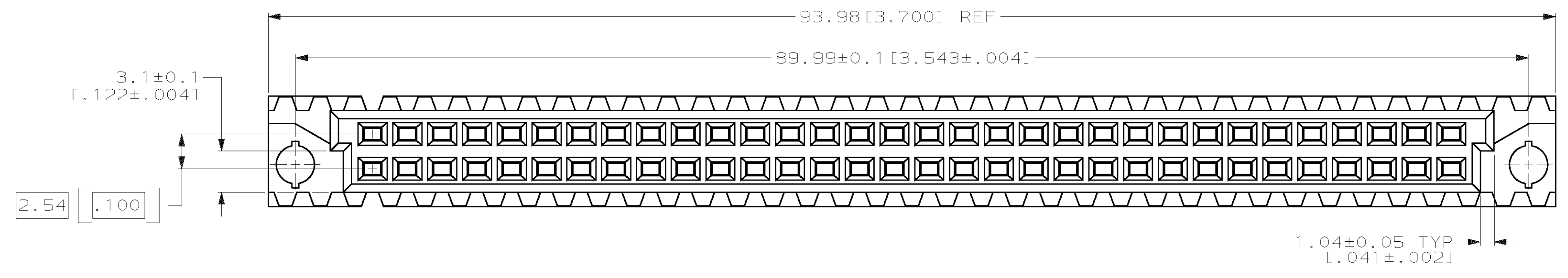
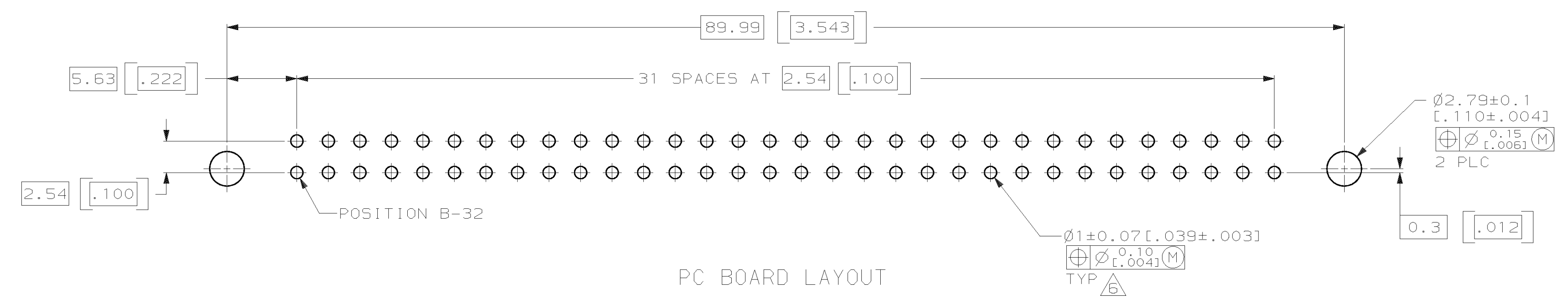
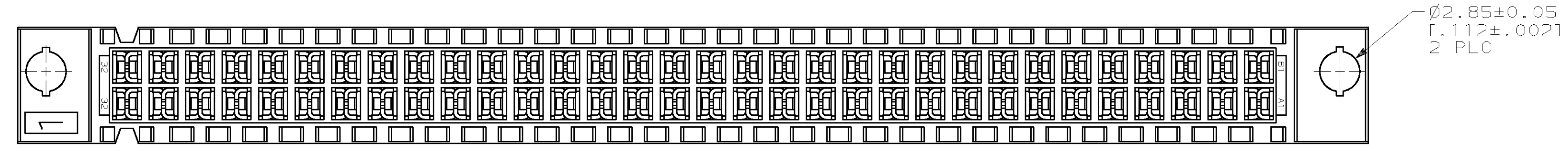


LOC		DIST		P		F		ZONE		LTR		REVISIONS			
AD	25											DESCRIPTION	DATE	APPD	
												D	EC 0010-1491-95	4/1/96	CR
												E	REV PER EC 0512-0016-03	09JAN04	AS



SECTION X-X



PC BOARD LAYOUT

NOTE	POSITIONS LOADED	ROWS LOADED		NO. OF LOADED POSITION	ASSY PART NUMBER
		B	A		
OBSOLETE	1 THRU 32	X	X	64	650859-9
	1 THRU 32	X	X	64	650859-5
SUPERSEDED BY 650859-5	1 THRU 32	X	X	64	650859-4

DO NOT SCALE PRINT. UNLESS SPECIFIED DIMENSIONS IN mm [INCHES]. TOLERANCES ON: 1 PLC DEC ± - 2 PLC DEC ± 0.13 [.005] ANGLES ± -	DR L. BRINER 6/27/90 CHK J. BROWN 7/18/90 APPD J. BROWN 7/18/90 MATERIAL HSG CONT	AMP INCORPORATED Harrisburg, Pa. 17105
FINISH CONT	APPD K.R. PARMER 7/19/90 PRODUCT SPEC APPLICATION SPEC WEIGHT	NAME RECEPTACLE ASSEMBLY, EUROCARD, TYPE B
	SIZE D FSCM NO 00779 DRAWING NO 650859	SCALE 4:1 SHEET 1 OF 1

